



### INDOOR WALL/RECESS-MOUNTED HYDRANT

Modular design allows for custom configuration. The basic set is wall-mounted hydrant that you can mounting in recess when use adjustable frames.

Hydrant for use inside buildings such as parking lots, warehouses, industrial halls, office buildings, schools, hospitals, kindergartens, sports arenas, cinemas, hotels and conference centers, airports, shopping centers, etc.

#### Dimensions (width x height x depth) [mm]:

780x780x250

#### Version:

- For wall-mounting or for recess-mounting

#### Implementation:

- Cabinet made of low carbon steel DC01 with a thickness of min. 1 mm, painted RAL3000 (red) or RAL9010 (white), thickness of layer min. 80  $\mu$ m
- Inlet holes as knockouts  $\varnothing$ 72 mm, 6 connection possibilities
- Door with 180° opening angle
- Anti-corrosion protection-iron phosphating, epoxy-polyester paint
- Universal gras hinge system - right or left hand door (for customer to choose)

#### Lack type:

- Yale - mortise Yale lock with a spare key placed on the door panel behind a 1 mm thick glass pane

#### Equipment:

- Self-locking hose reel for semi-rigid hose, full disc, powder coated, color RAL 3000 (red), gloss 80%, thickness of layer min. 80  $\mu$ m
- Brass water axis
- Ball valve brass DN32 (1 1/4")
- Brass fire-hose nozzle GRAS DN33/D12
- Semi-rigid fire hose DN32 (20 m or 30 m) according to EN-694 norm for fire hoses
- Connection hose (for connection valve-hose reel) to valve DN32 (1 1/4")

#### Working pressure:

- Minimum: 0.2 MPa - maximum: 0.7 MPa

#### Efficiency:

- $P \geq 0.2$  MPa - WSP K = 64,5 nozzle D12 mm / Q Nom = 91l/min
- $P \geq 0.4$  MPa - WSP K = 64,5 nozzle D12 mm / Q Nom = 131l/min
- $P \geq 0.6$  MPa - WSP K = 64,5 nozzle D12 mm / Q Nom = 160l/min

#### Marking and documentation:

- Installation instructions
- Marking acc. to EN 671
- The declaration of performance

#### Conformity to standards and certificates:

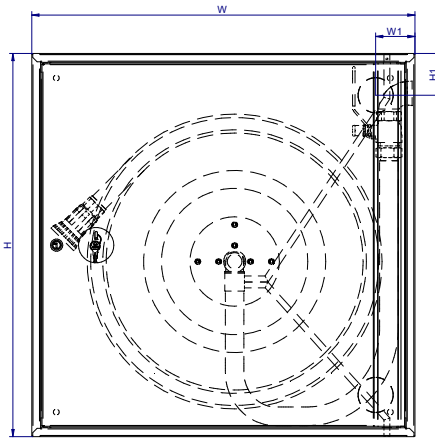
- EN 671-1
- EC (CE) certificate of conformity no: 1438/CPR/0227

#### Options:

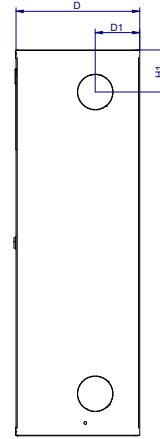
- Other cabinet RAL color \_\_\_\_\_
- Cabinet made of stainless steel 304 or 316L
- Cabinet made in accordance to EN 12944 - corrosion protection level C5
- Adjustable masking frames for hydrant installation in a wall recess
- Adjustable support legs for freestanding installation on the floor
- Support frame for installation perpendicularly to the wall
- Universal – combining the features of Euro and patent locks; opened by breaking the PCV cover or using a service wrench

**Wall-mounted version**

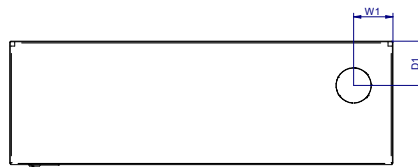
Front view



Side view

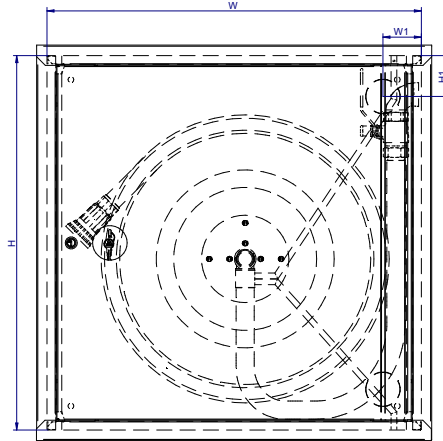


View from above

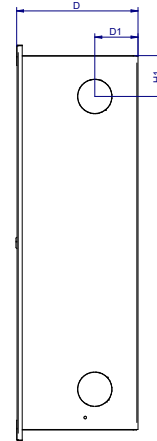


**Recess-mounted version**

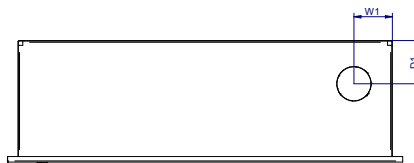
Front view



Side view



View from above



Model	Version	Frame	Hose length [m]			Dimensions [mm]			
			DN32	W	W1	H	H1	D	D1
HWG-33N-20/30 UNN	For wall-mounting	-	20 or 30	780	80	780	85	250	90
HWG-33W-20/30 UNN	For recess-mounting	Yes	20 or 30	780	80	780	85	250	90
Frame for cabinet recess mounting - option	-	-	-	780	-	780	-	20	-