
OUTDOOR HEATED AND INSULATED HYDRANT, FOR WALL-MOUNTED WITH PLACE FOR AN EXTINGUISHER

For outdoor use in cold conditions up to -25° . Thermostatically controlled heating unit and insulation secure cabinet interior against cold.

Dimensions (width x height x depth) [mm]:

795x995x220 (For wall-mounting - N)

Version:

- For wall-mounting

Implementation:

- Cabinet heated and insulated, made of low carbon steel DC01 with a thickness of min. 1 mm, painted RAL3000 (red) or RAL9010 (white), thickness of layer min. $80 \mu\text{m}$
- Inlet holes as knockouts $\varnothing 45 \text{ mm}$, 6 connection possibilities
- Insulated hydrant cabinet door with a hinge that allows the door to be opened 180 degrees and a plate that protects the insulation against damage
- Anti-corrosion protection-iron phosphating, epoxy-polyester paint
- Hydrant cabinet insulated with thermal conductivity coefficient insulation material 0,042 W/mk
- 150W/230V thermostatically controlled heating element, IP65 level
- Automatic regulation of the hydrant interior temperature according to the thermostat settings
- Model in a vertical arrangement with additional room for a 6 kg extinguisher

Lack type:

- Pull lock to close the door to the body seal

Equipment:

- Self-locking hose reel for semi-rigid hose, full disc, powder coated, color RAL 3000 (red), gloss 80%, thickness of layer min. $80 \mu\text{m}$
- Brass water axis
- Brass valve (ball or winding) DN25 (1")
- Brass fire-hose nozzle GRAS DN25/D10 (options D6, D8)
- Semi-regid fire hose DN25 (20 m or 30 m) according to EN-694 norm for fire hoses
- Connection hose (for connection valve-hose reel) to valve DN25 (1")

Working pressure:

- Minimum: 0.2 MPa - maximum: 1.2 MPa

Efficiency:

- $P \geq 0.2 \text{ MPa}$ - WSP K = 44 nozzle D10 mm / Q Nom = 59l/min
- $P \geq 0.4 \text{ MPa}$ - WSP K = 30,5 nozzle D8 mm / Q Nom = 57l/min
- $P \geq 0.6 \text{ MPa}$ - WSP K = 26 nozzle D6 mm / Q Nom = 63l/min

Marking and documentation:

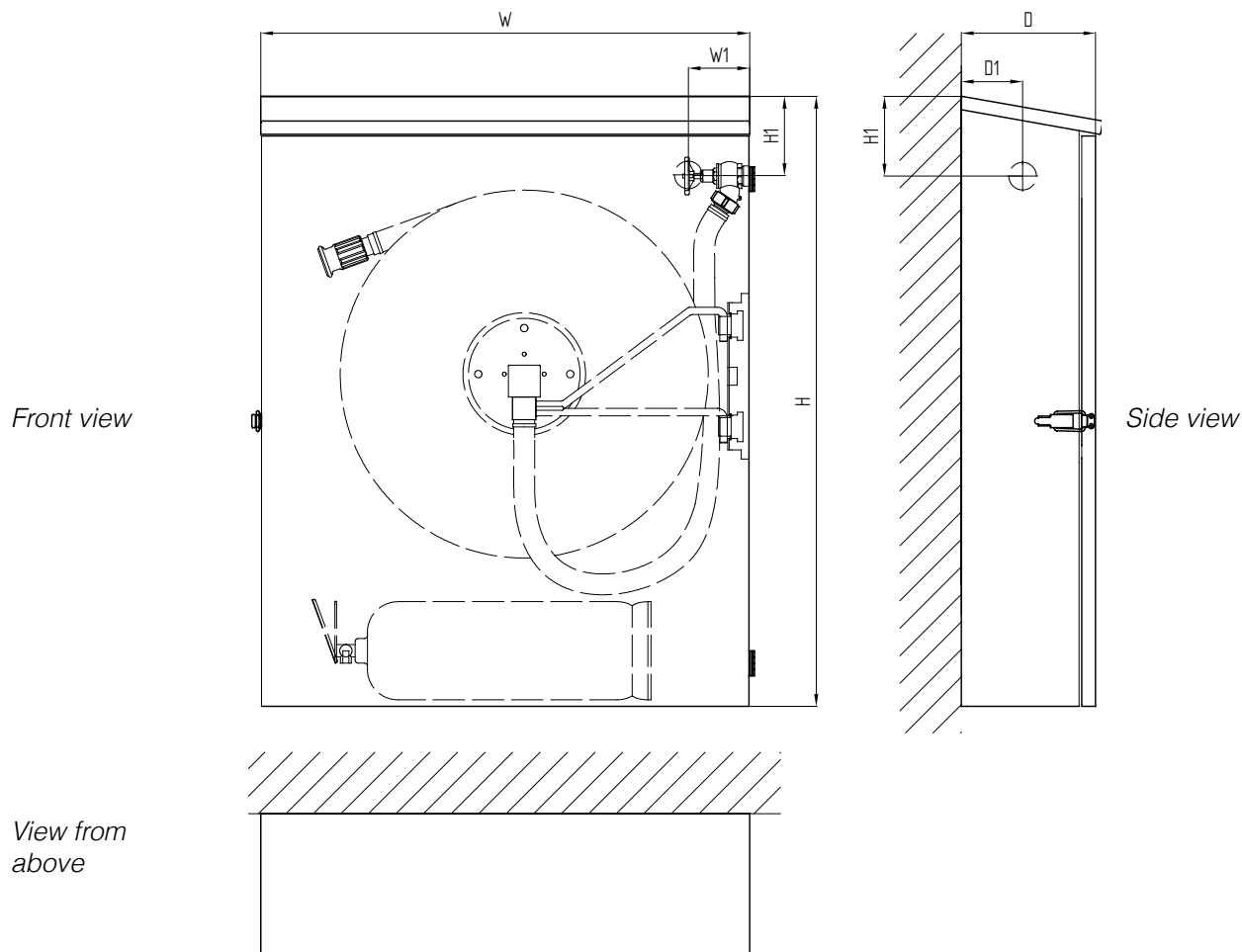
- Installation instructions
- Marking acc. to EN 671

Conformity to standards and certificates:

- EN 671-1
- EC (CE) certificate of conformity no: 1438/CPR/0003, 1438/CPR/0004

Options:

- Other cabinet RAL color_____
- Cabinet made of stainless steel 304 or 316L
- Cabinet made in accordance to EN 12944 - corrosion protection level C5
- Adjustable support legs for freestanding installation on the floor
- Support frame for installation perpendicularly to the wall
- Extinguisher (for 4kg or 6kg powder type)



Model	Version	Frame	Hose length [m]		Dimensions [mm]				
			DN25	W	W1	H	H1	D	D1
HW-25N-KP-20/30 HS-Z	For wall-mounting	-	20 or 30	795	100	995	130	220	100