



INDOOR WALL/RECESS-MOUNTED HYDRANT WITH ROLL-OUT TROLLEY

The hydrant design allows installation in places with limited wall space. The inverted hose reel moves on a roll-out trolley to easily unwind the fire hose in each direction. The basic set is wall-mounted hydrant that you can mounting in recess when use adjustable frames.

Hydrant for use inside buildings such as parking lots, warehouses, industrial halls, office buildings, schools, hospitals, kindergartens, sports arenas, cinemas, hotels and conference centers, airports, shopping centers, etc.

Dimensions (width x height x depth) [mm]:

390x930x750

Version:

- For wall-mounting or for recess-mounting

Implementation:

- Cabinet made of low carbon steel DC01 with a thickness of min. 1 mm, painted RAL3000 (red) or RAL9010 (white), thickness of layer min. 80 μ m
- Inlet holes as knockouts \varnothing 72 mm
- Door with 180° opening angle
- Anti-corrosion protection-iron phosphating, epoxy-polyester paint
- Universal gras hinge system - right or left hand door (for customer to choose)

Lack type:

- Yale - mortise Yale lock with a spare key placed on the door panel behind a 1 mm thick glass pane

Equipment:

- Self-locking hose reel for semi-rigid hose, with solid discs on a bearing-mounted roll-out trolley, powder coated, color RAL 3000 (red), gloss 80, thickness of layer min. 80 μ m
- Brass water axis
- Ball valve brass DN32 (1 1/4")
- Brass fire-hose nozzle GRAS DN33/D12
- Semi-rigid fire hose DN32 (20 m or 30 m) according to EN-694 norm for fire hoses
- Connection hose (for connection valve-hose reel) to valve DN32 (1 1/4")

Working pressure:

- Minimum: 0.2 MPa - maximum: 0.7 MPa

Efficiency:

- $P \geq 0.2$ MPa - WSP K = 64,5 nozzle D12 mm / Q Nom = 91l/min
- $P \geq 0.4$ MPa - WSP K = 64,5 nozzle D12 mm / Q Nom = 131l/min
- $P \geq 0.6$ MPa - WSP K = 64,5 nozzle D12 mm / Q Nom = 160l/min

Marking and documentation:

- Installation instructions
- Marking acc. to EN 671
- The declaration of performance

Conformity to standards and certificates:

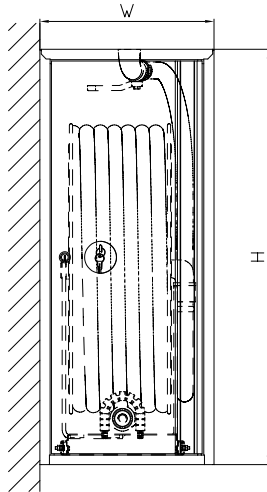
- EN 671-1
- EC (CE) certificate of conformity no: 1438/CPR/0227

Options:

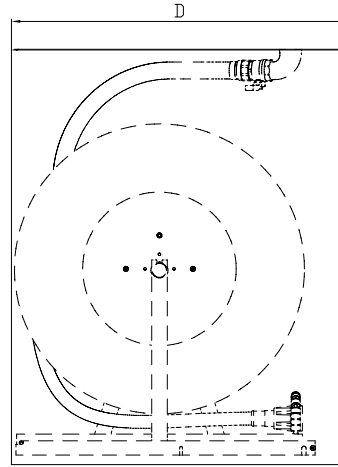
- Other cabinet RAL color_____
- Cabinet made of stainless steel 304 or 316L
- Cabinet made in accordance to EN 12944 - corrosion protection level C5
- Adjustable support legs for freestanding installation on the floor
- Universal – combining the features of Euro and patent locks; opened by breaking the PCV cover or using a service wrench

Wall-mounted version

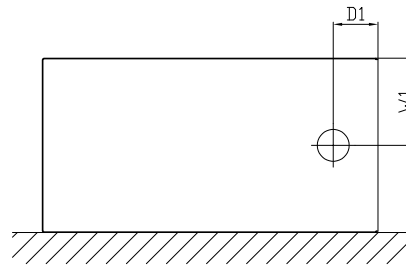
Front view



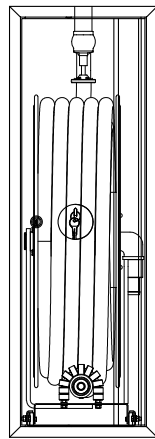
Side view



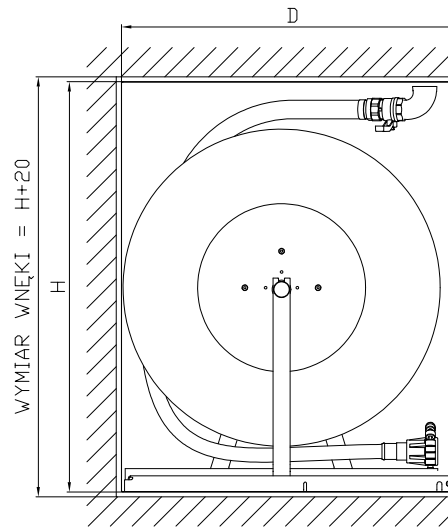
View from above


Recess-mounted version

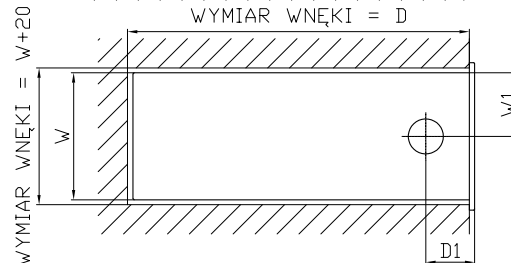
Front view



Side view



View from above



Model	Version	Frame	Hose length [m]		Dimensions [mm]				
			DN32	W	W1	H	D	D1	
HW-33N-S-20/30	For wall-mounting	-	20 or 30	390	195	930	750	100	
HW-33W-S-20/30	For recess-mounting	Yes	20 or 30	390	195	930	750	100	
Frame for cabinet S - option			-	390	-	930	20	-	