

INDOOR WALL/RECESS-MOUNTED HYDRANT WITH PLACE FOR AN EXTINGUISHER

Modular design allows for custom configuration. The basic set is wall-mounted hydrant that you can mounting in recess when use adjustable frames and cabinet for extinguisher.

Hydrant for use inside buildings such as parking lots, warehouses, industrial halls, office buildings, schools, hospitals, kindergartens, sports arenas, cinemas, hotels and conference centers, airports, shopping centers, etc.

Dimensions (width x height x depth) [mm]:

1010x780x250

Version:

- For wall-mounting or for recess-mounting

Implementation:

- Cabinet made of low carbon steel DC01 with a thickness of min. 1 mm, painted RAL3000 (red) or RAL9010 (white), thickness of layer min. 80 μ m
- Inlet holes as knockouts \varnothing 72 mm, 6 connection possibilities
- Door with 180° opening angle
- Anti-corrosion protection-iron phosphating, epoxy-polyester paint
- Universal gras hinge system - right or left hand door (for customer to choose)
- Model in a horizontal arrangement with additional room for a 6 kg extinguisher

Lack type:

- Yale - mortise Yale lock with a spare key placed on the door panel behind a 1 mm thick glass pane

Equipment:

- Self-locking hose reel for semi-rigid hose, full disc, powder coated, color RAL 3000 (red), gloss 80%, thickness of layer min. 80 μ m
- Brass water axis
- Ball valve brass DN32 (1 1/4")
- Brass fire-hose nozzle GRAS DN33/D12
- Semi-rigid fire hose DN32 (20 m or 30 m) according to EN-694 norm for fire hoses
- Connection hose (for connection valve-hose reel) to valve DN32 (1 1/4")
- G-SLIM cabinet for an extinguisher

Working pressure:

- Minimum: 0.2 MPa - maximum: 0.7 MPa

Efficiency:

- $P \geq 0.2$ MPa - WSP K = 64,5 (jet), WSK K = 85 (conical spray) - nozzle D12 mm / Q Nom = 91l/min
- $P \geq 0.4$ MPa - WSP K = 64,5 (jet), WSK K = 85 (conical spray) - nozzle D12 mm / Q Nom = 131l/min
- $P \geq 0.6$ MPa - WSP K = 64,5 (jet), WSK K = 85 (conical spray) - nozzle D12 mm / Q Nom = 160l/min

Marking and documentation:

- Installation instructions
- Marking acc. to EN 671
- The declaration of performance

Conformity to standards and certificates:

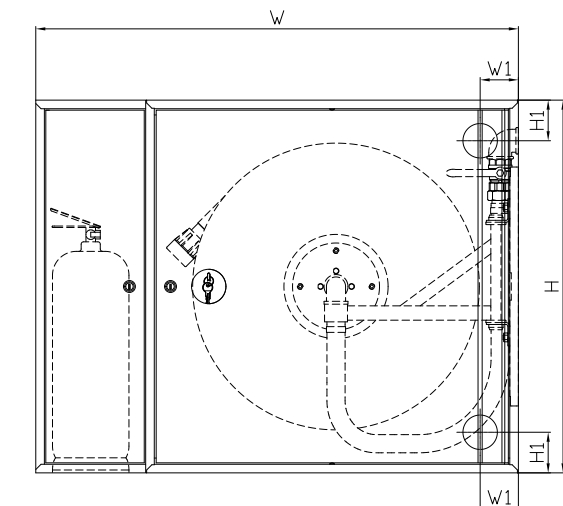
- EN 671-1
- EC (CE) certificate of conformity no: 1438/CPR/0227

Options:

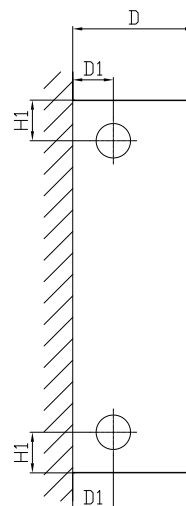
- Other cabinet RAL color _____
- Cabinet made of stainless steel 304 or 316L
- Cabinet made in accordance to EN 12944 - corrosion protection level C5
- Adjustable masking frames for hydrant installation in a wall recess
- Adjustable support legs for freestanding installation on the floor
- Adjustable support legs for freestanding installation on the floor
- Support frame for installation perpendicularly to the wall
- Extinguisher (for 4kg or 6kg powder type)
- Universal – combining the features of Euro and patent locks; opened by breaking the PCV cover or using a service wrench

Wall-mounted version

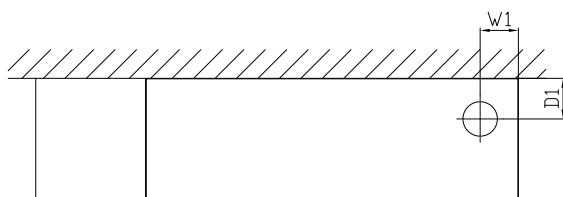
Front view



Side view

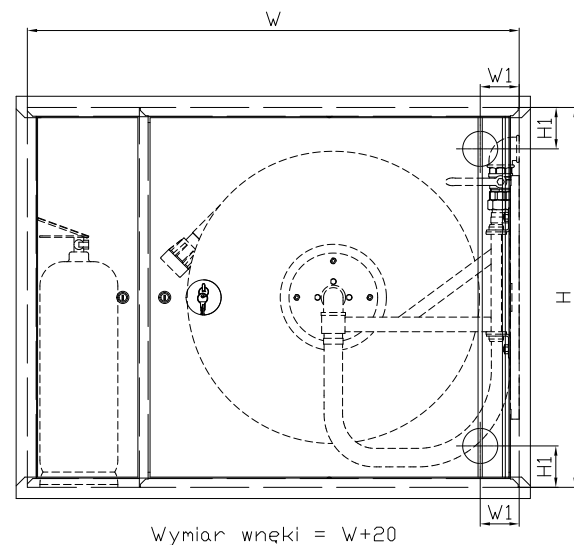


View from above

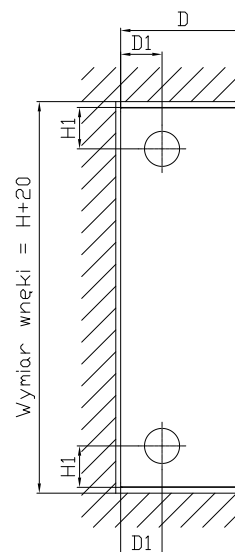


Recess-mounted version

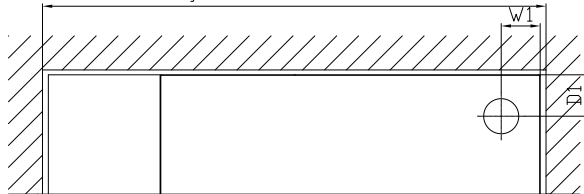
Front view



Side view



View from above



Model	Version	Extinguisher cabinet	Frame	Hose length [m]		Dimensions [mm]				
				DN32	W	W1	H	H1	D	D1
HWG-33N-K-20/30	For wall-mounting	G-SLIM 33	-	20 or 30	1010	80	780	85	250	85
HWG-33W-K-20/30	For recess-mounting	G-SLIM 33	Tak	20 or 30	1010	80	780	85	250	85
Frame for cabinet K i KP recess mounting - option	-	-	-	-	1010	-	780	-	20	-