

SWINGING FIRE HOSE REEL FOR WALL-MOUNTING

Fire hose reel for use inside buildings such as parking lots, warehouses, industrial halls, office buildings, schools, hospitals, kindergartens, sports arenas, cinemas, hotels and conference centers, airports, shopping centers, etc.

Dimensions (width x depth) [mm]:

700x110 / 600x140

Version:

- For wall-mounting

Implementation:

- Anti-corrosion protection-iron phosphating, epoxy-polyester paint

Equipment:

- Self-locking hose reel (with adjustable brake force) for semi-rigid hose, full disc, powder coated, color RAL 3000 (red), gloss 80%, thickness of layer min. 80 μ m
- Brass water axis
- Brass valve (ball or winding) DN25 (1")
- Brass fire-hose nozzle GRAS DN19/D7
- Semi-rigid fire hose DN20 (20 m or 30 m) according to EN-694 norm for fire hoses
- Connection hose (for connection valve-hose reel) to valve DN25 (1")
- Wall hanger to mount indoor swinging hose reel

Working pressure:

- Minimum: 0.2 MPa - maximum: 1.2 MPa

Efficiency:

- $P \geq 0.2$ MPa - WSP K = 22 nozzle D7 mm / Q Nom = 31l/min
- $P \geq 0.4$ MPa - WSP K = 22 nozzle D7 mm / Q Nom = 44l/min
- $P \geq 0.6$ MPa - WSP K = 22 nozzle D7 mm / Q Nom = 53l/min

Marking and documentation:

- Installation instructions
- Marking acc. to EN 671
- The declaration of performance

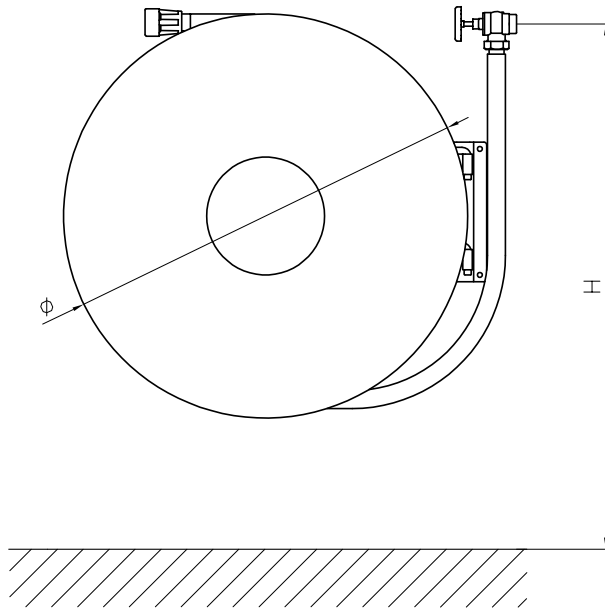
Conformity to standards and certificates:

- EN 671-1
- EC (CE) certificate of conformity no: 1438/CPR/0062, 1438/CPR/0063

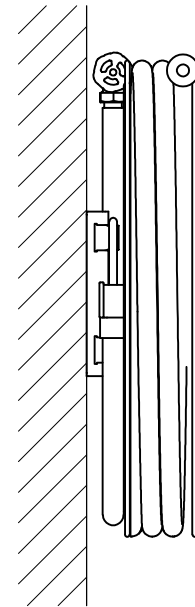
Options:

- Hose reel made of stainless steel 304 or 316L
- Hose reel made in accordance to EN 12944 - corrosion protection level C5

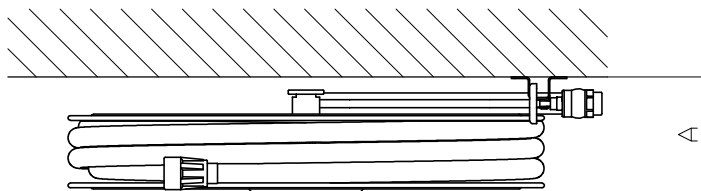
Front view



Side view



View from above



Model	Hose length [m]		Dimensions [mm]	
	DN19	Ø	A	H
HW-19 ZWN-R-20/30	20 or 30	600	140	1350 +/-100
HW-19 ZWN-R-20/30	20 or 30	700	110	1350 +/-100